

PLUG & PLAY WITH IO-LINK

MVK Metal and Impact67
Compact Fieldbus Modules

Murrelektronik's new compact IO-Link modules are the smartest way to get IO-Link devices connected to Ethernet/IP.

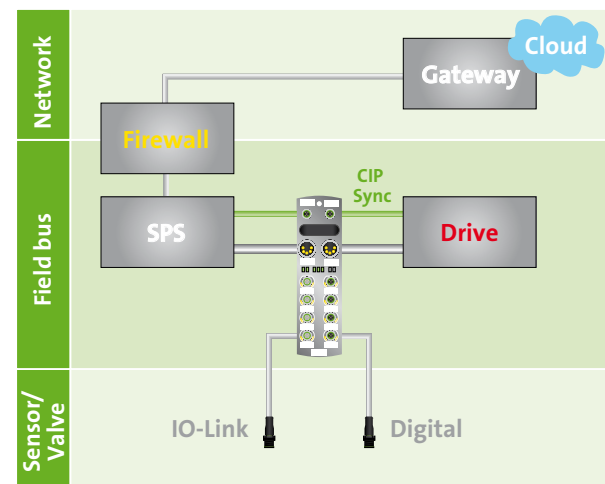
An easy-to-use configuration tool for IO-Link devices helps to decrease installation and maintenance time.

Combined with a large variety of Murrelektronik I/O hubs and IO-Link/analog converters, these modules have their flexibility increased and contribute to a reduction in hardware costs.



High-Performance

- **Multifunctional M12 ports:** Digital I/Os or IO-Link
- **Up to 4 IO-Link Class B Ports**
- **QuickConnect** ($\leq 360\text{ms}$)
- **Adjustable I/O Length**



MVK Metal

- Higher EMC Immunity
- Weld spark resistant
- Highest vibration-shock resistance (50g)
- Resistant to coolants and lubricants

Impact67

- Same functional port and performance in a lower cost housing
- Web server with integrated configuration tool
- Detailed diagnostic information available via LEDs and web server
- Fully potted

High Performance

- Ethernet/IP QuickConnect (QC)
- Ethernet/IP Device Level Ring (DLR)
- ODVA CT14 compliant
- Simultaneous connection to multiple controllers

Multifunctional M12 ports

- IO-Link/DI/DO configurable channels
- Auto-configuration for standard I/O channels
- 1 A per IO-Link port
- 1.6 A per output

IO-Link Device Configuration

- IO-Link configuration tool for easy configuration of IO-Link devices
- Storage function allows IO-Link devices to be replaced without any additional tools

High Flexibility

- Combine with Murrelektronik's IO-Link/analog converters to cover analog signals
- Covers up to 76 digital signals when combined with Murrelektronik IO-Link hubs

Ordering Data

Ethernet/IP
CT14

– IP67

IO-Link
EtherNet/IP™

MVK Metal
DIO16 4P

MVK Metal
DIO14 DIO2/IOL2 4P

MVK Metal
DIO12 DIO4/IOL4 4P

Impact67
DIO16 4P

Impact67
DIO14 DIO2/IOL2 4P

Impact67
DIO12 DIO4/IOL4 4P



Art.-No.	55542	55543	55544	55142	55143	55144
Technical Data						
Device Level Ring	yes, beacon-based ring node					
QuickConnect Support	yes					
Multiple Connections	yes, 1 exclusive-owner and 2 listen-only connections					
Multifunctional Channels	M12 ports					
Power	7/8" 4-pole (max. 9 A for sensor and 9 A for actuator supply)					
Digital Inputs	acc. to EN 61131-2, Type 3 (220 mA), single channel protection					
Digital Outputs	max. 1.6 A per output cycle frequency max. 50 Hz, single channel protection					
IO-Link	V 1.12/EN 61131-2 Type 1. Com1/Com2/Com3, automatic startup, up to 1 A load					
IO-Link 1.1 Class B Port	–	max. 2 (X6, X7)	max. 4 (X4, X5, X6, X7)	–	max. 2 (X6, X7)	max. 4 (X4, X5, X6, X7)
Shock (EN 60068 Part 2-27)	50 g			15 g		